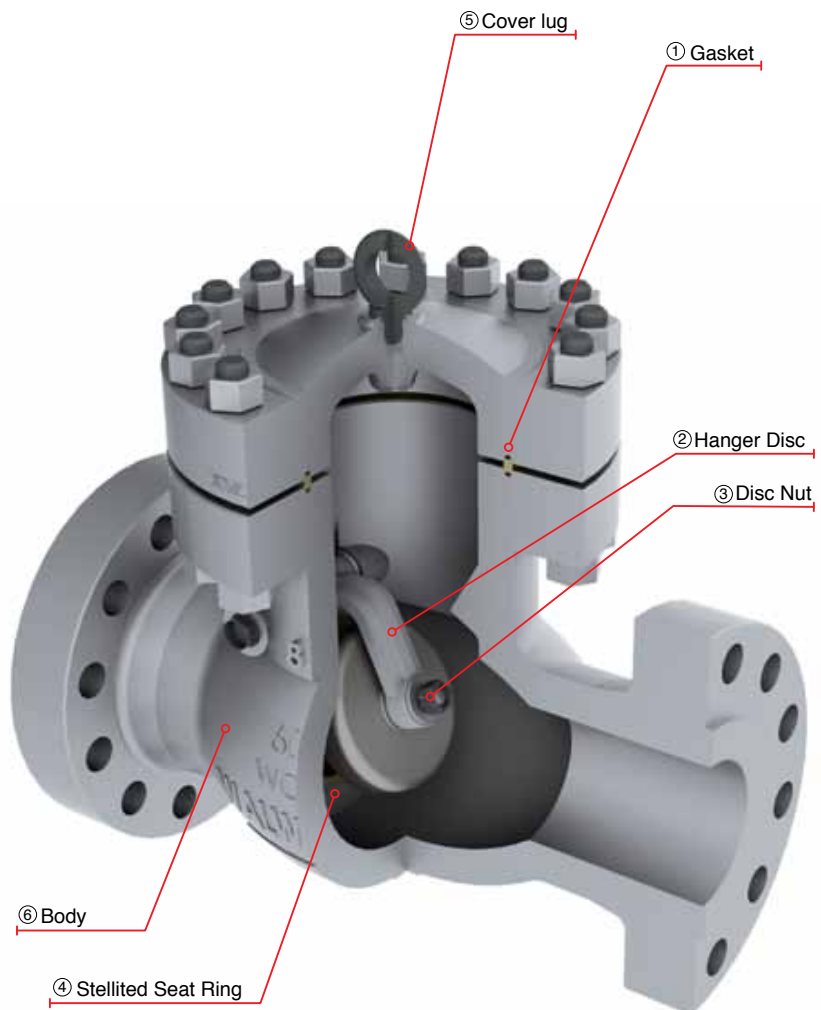


CAST STEEL SWING CHECK VALVES CLASS 600

CAST STEEL SWING CHECK VALVES

DESIGN FEATURES

- Swing check valves design in accordance with API-6D.
 - Swing check valves as per API-599 available upon request.
 - Swing check valves option in accordance with API-603 only for stainless steel & Nickel alloys.
 - Swing check valves for cryogenic service in accordance with BS-6364.
 - Flange dimensions in accordance with ASME B16.5 for valves up to 24" nominal diameter.
 - Damper & Counter weight options.
 - Drain connections as per Customer request.
 - Low fugitive emissions control.
 - NACE service either MR-01-75 or MR-01-03.
 - Test in accordance with API-598.
- ① Body to Cover Joint designed to apply a uniform load to the gasket to assure a leak proof seal.
 - ② Disc to Hanger connection allows the disc a controlled movement independent of the hanger to assure proper disc alignment with the seat at closure.
 - ③ The connection is secured by a welded disc nut to prevent disassembly due to vibration and closure impact.
 - ④ Stellited Seat Ring provides increased resistance to wear abrasion and erosion of the sealing surface.
 - ⑤ From 8" and up, WALWORTH check valves have cover lug for easy installation
 - ⑥ Body with heavy wall thickness as per ASME B16.34 for maximum service life. Provided with bosses for optional drains.



CAST STEEL SWING CHECK VALVES CLASS 600

Design Features

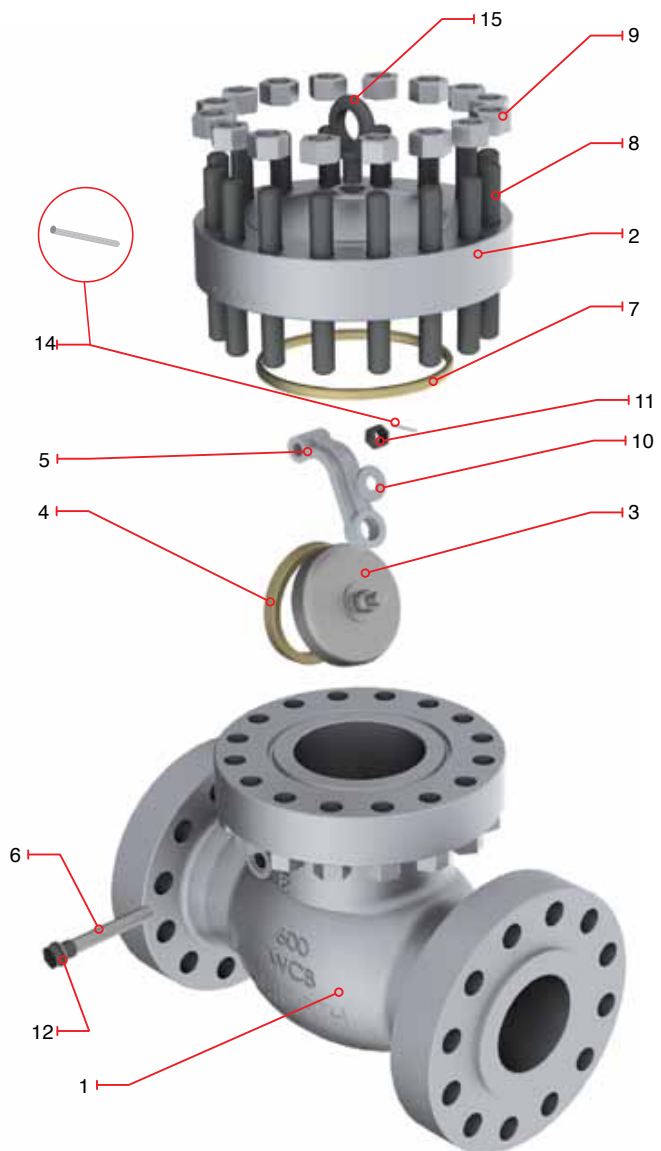
- Design in accordance with API-6D.
- Swing check valves as per API-599 available upon request.
- Flange dimensions as per ASME B16.5
- End to end dimensions as per ASME B16.10
- WE dimensions as per ASME B 16.25
- Flange dimensions larger than 24" according to ASME B16.47 Series A as standard
- Flange dimensions as per ASME B16.47 Series B available upon request

Catalog Figure No.	ID Plant Figure No.	Type of Ends
5350RF	5350F	Flanged Raised Face
5350RTJ	5350RJ	Flanged Ring Type Joint
5350WE	5350WE	Buttweld

Regular Bill of Materials

No.	Description	WCB Trim UT
1	Body	ASTM A 216 GR WCB
2	Cover	ASTM A 216 GR WCB
3	Disc	ASTM A 216 GR WCB + 13% Cr.
4	Seat Ring	ASTM A 515 GR 70 + ST 6
5	Hanger	ASTM A 216 GR WCB
6	Hanger Pin	ASTM A 276 Type 410
7	Ring Type Joint Gasket	ASTM A 108 GR 1010
8	Cover Stud	ASTM A 193 GR B7
9	Cover Stud Nut	ASTM A 194 GR 2H
10	Disc Washer	ASTM A 276 Type 410
11	Disc Nut	Alloy Steel
12	Body Plug	Alloy Steel
*13	Identification Plate	Stainless Steel
14	Hanger retainer	Stainless Steel
15	Coverlug	Commercial Steel

*Not Shown



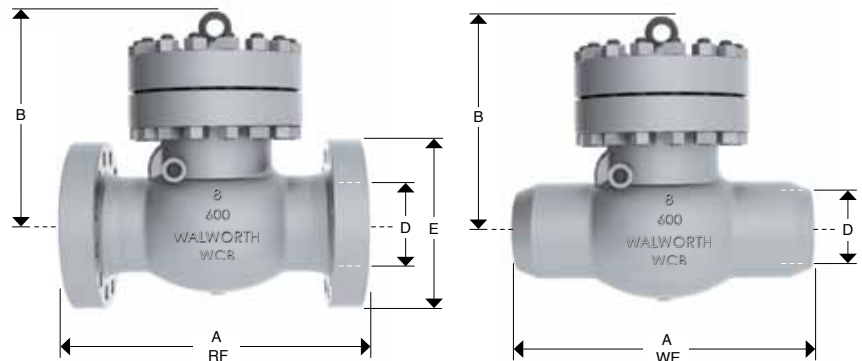
CAST STEEL SWING CHECK VALVES CLASS 600



Design Features

- Design in accordance with API-6D.
- Swing check valves as per API-599 available upon request.
- Flange dimensions as per ASME B16.5
- End to end dimensions as per ASME B16.10
- WE dimensions as per ASME B 16.25
- Flange dimensions larger than 24" according to ASME B16.47 Series A as standard
- Flange dimensions as per ASME B16.47 Series B available upon request

Catalog Figure No.	ID Plant Figure No.	Type of Ends
5350RF	5350F	Flanged Raised Face
5350RTJ	5350RJ	Flanged Ring Type Joint
5350WE	5350WE	Buttweld



Dimensions and Weights

D Nominal Diameter	mm	51	64	76	102	152	203	254	305	356	406	457	508	610	762	914
	in	2	2 1/2	3	4	6	8	10	12	14	16	18	20	24	30	36
A (RF and WE)	mm	292	330	356	432	559	660	787	838	889	991	1092	1194	1397	1651	2083
	in	11 1/2	13	14	17	22	26	31	33	35	39	43	47	55	65	82
A* (RTJ)	mm	295	333	359	435	562	663	790	841	892	994	1095	1200	1407	1664	PCR
	in	11 5/8	13 1/8	14 1/8	17 1/8	22 1/8	26 1/8	31 1/8	33 1/8	35 1/8	39 1/8	43 1/8	47 1/4	55 3/8	65 1/2	PCR
B	mm	147	182	177	241	344	435	512	575	576	653	752	715	787	1092	1422
	in	5 3/4	7 3/16	6 15/16	9 1/2	13 9/16	17 1/8	20 3/16	22 5/8	22 11/16	25 11/16	29 5/8	28 1/8	31	43	56
E	mm	165	191	210	273	356	419	508	559	603	686	743	813	940	1130	1314
	in	6 1/2	7 1/2	8 1/4	10 3/4	14	16 1/2	20	22	23 3/4	27	29 1/4	32	37	44 1/2	51 3/4
Weight 5350RF	Kg	25	40	46	85	173	383	567	770	1250	1735	2006	2780	4310	5800	10500
	lb	55	88	101.2	187	380.6	842.6	1247.4	1694	2750	3817	4413.2	6116	9482	12760	23100
Weight 5350WE	Kg	21	34	39	72	147	337	499	678	1125	1562	1805	2502	3879	5220	9450
	lb	47	75	86	159	324	741	1098	1491	2475	3435	3972	5504	8534	11484	20790

PCR = Per customer request